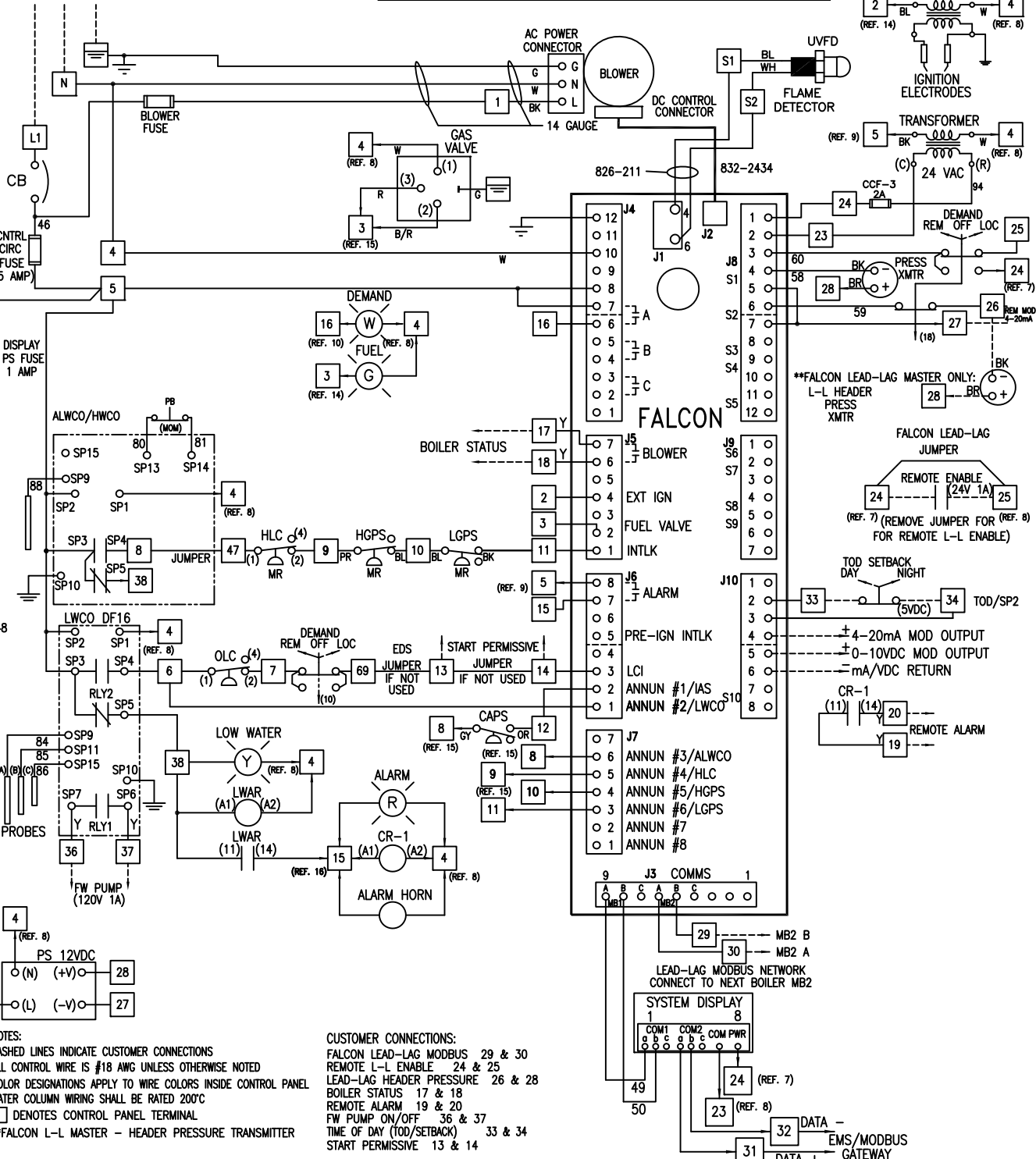


115V/1PH AC FUSED  
POWER SUPPLY W/  
GROUNDED NEUTRAL

CC-BLOWER CIRCUIT BREAKER & BLOWER MOTOR FUSE SELECTION

BOILER SIZE	BLOWER MODEL	CIRCUIT BRKR	FUSE RATING, CL. CC
10/15/20/25/30 HP	G1G170-AB05-20	10 A	6 A
40 HP	G3G200-GN26-01	15 A	12 A
50/60 HP	G3G250-GN39-01	20 A	15 A



NOTES:  
DASHED LINES INDICATE CUSTOMER CONNECTIONS  
ALL CONTROL WIRE IS #18 AWG UNLESS OTHERWISE NOTED  
COLOR DESIGNATIONS APPLY TO WIRE COLORS INSIDE CONTROL PANEL  
WATER COLUMN WIRING SHALL BE RATED 200°C  
□ DENOTES CONTROL PANEL TERMINAL  
\*\*FALCON L-L MASTER - HEADER PRESSURE TRANSMITTER

CUSTOMER CONNECTIONS:  
FALCON LEAD-LAG MODBUS 29 & 30  
REMOTE L-L ENABLE 24 & 25  
LEAD-LAG HEADER PRESSURE 26 & 28  
BOILER STATUS 17 & 18  
REMOTE ALARM 19 & 20  
FW PUMP ON/OFF 36 & 37  
TIME OF DAY (TOD/SETBACK) 33 & 34  
START PERMISSIVE 13 & 14

EMS INTERFACE MODBUS 31 & 32

TERMINALS: L1, N, G, 1, 2, 3, 4, 4-4, 5-5, 6, 7, 8, 9, 10, 11, 12, 13, 14, 15, 16, 17, 18, 19, 20, 21, 22, 23, 24, 25, 26, 27, 28, 29, 30, 31, 32, 33, 34, 35, 36, 37, 38, 47, 69, S1, S2

THIS DRAWING IS PROPERTY OF CLEAVER-BROOKS DIVISION  
IT IS SUBJECT TO CHANGE WITHOUT NOTICE, AND IS NOT TO BE COPIED OR USED IN ANY WAY DETRIMENTAL TO THE COMPANY.  
SUGGESTIONS AND INFORMATION CONTAINED ON THIS DRAWING ARE NOT INTENDED TO SUPPLANT LOCAL CODES.

Earnest Brew Works  
Toledo, OH, 43614

UNIT-1

SHT 01 OF 01

019422

REVISIONS	SCALE	N.T.S.
	DATE	11/01/21
	DRAWN	LS
	SIZE	A

**CleaverBrooks®**

CFH	700	40	15ST	XL-GAP
MODEL	FUEL	SIZE	PRESSURE	INSURANCE
115	1	60	2	13.5
VOLTS	PHASE	HERTZ	WIRE	AMPACITY

DRWG. NO. 019422-1-1WD 00